

Cryo Anlagenbau



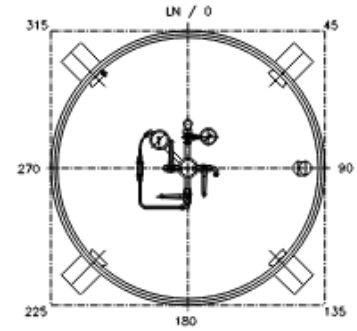
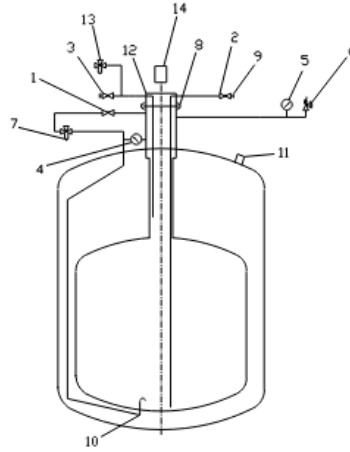
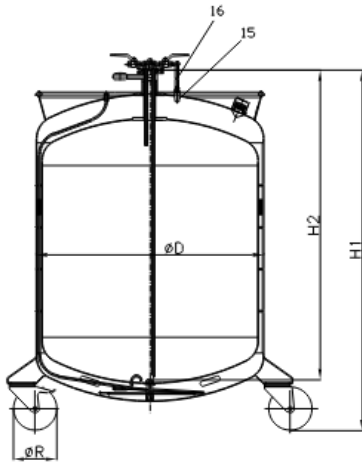
PRODUCT SPECIFICATIONS (Low pressure)

| MODEL | CS 30 SK | CS 60 SK | CS 100 SK | CS 120 SK | CS 160 SK | CS 200 SK | CS 250 SK | CS 300 SK | CS 400 SK |
|--|----------|----------|-----------|-----------|-----------|-----------|-----------|-----------|-----------|
| Usable volume (L) | 30 | 60 | 100 | 120 | 160 | 200 | 250 | 300 | 400 |
| Perm. operativ pressure (Bar)* | 1,5 | 1,5 | 1,5 | 1,5 | 1,5 | 1,5 | 1,5 | 1,5 | 1,5 |
| Weight empty (kg) | 42 | 51 | 66 | 70 | 95 | 120 | 131 | 150 | 194 |
| Weight full (kg)** | | | | | | | | | |
| LN2 | 66 | 100 | 147 | 167 | 224 | 282 | 333 | 393 | 518 |
| LO2 | 76 | 120 | 180 | 207 | 278 | 348 | 416 | 492 | 650 |
| LAr | 84 | 135 | 205 | 237 | 318 | 399 | 480 | 568 | 752 |
| Static evaporation rate nacked vessel (% / d)*** | 3,8 | 2,5 | 1,3 | 1,3 | 1,2 | 1,2 | 1,2 | 1,2 | 1,0 |
| Neck diameter (mm) | KFDN 50 | KFDN 50 | KFDN 50 | KFDN 50 | KFDN 50 | KFDN 50 | KFDN 50 | KFDN 50 | KFDN 50 |

* Other pressures on request

** The weights may vary depending on the equipment

*** At standard conditions without inserts



| | D | H1 | H2 | R Ø |
|-----------|-----|------|------|-----|
| CS 30 SK | 450 | 726 | 547 | 80 |
| CS 60 SK | 450 | 1000 | 803 | 100 |
| SC 100 SK | 550 | 1082 | 863 | 125 |
| SC 120 SK | 550 | 1196 | 977 | 125 |
| CS 160 SK | 600 | 1230 | 1032 | 125 |
| CS 200 SK | 700 | 1247 | 984 | 160 |
| CS 250 SK | 700 | 1399 | 1131 | 160 |
| CS 300 SK | 700 | 1553 | 1295 | 160 |
| CS 400 SK | 900 | 1330 | 1107 | 160 |

The main features

| | |
|----|---|
| 1 | pressure built up valve 3/8" (green) |
| 2 | fill / discharge valve 3/8" (red) |
| 3 | venting valve 3/8" (yellow) |
| 4 | differential pressure indicator |
| 5 | pressure gauge |
| 6 | safety valve 1,5bar |
| 7 | pressure built up regulator (optional) |
| 8 | clamp for small flange DN50 |
| 9 | 3/4" UNF16-3/8" |
| 10 | pressure building coil |
| 11 | vacuum valve 0,5bar |
| 12 | withdrawal head with small flange DN50 |
| 13 | pressure reducing regulator (optional) |
| 14 | digital level indicator (optional) |
| 15 | phase separator |
| 16 | flexible stainless steel hose DN10 with clamping nut 3/4"-16 UNF inside |